

Deeter Electronics Ltd.

SLM300C/800C/990C 4-20mA Ultrasonic Level Meter



The SLM300C/800C/990C series is a range of high quality ultrasonic level meters in explosion proof housings that provide non-contact level measurement of liquids and solids. Easy calibration and maintenance free “fit and forget” performance mean that you can install the SLM300C/800C/990C rapidly with confidence.

The SLM300C/800C/990C operates on the principle of timing the echo received from a measured pulse of sound transmitted in air and uses “state of the art” echo extraction technology.

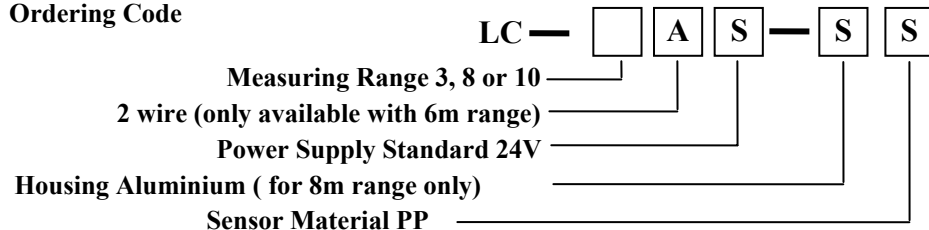
Features

- Simple calibration
- Easy installation
- Aluminium diecast body
- Explosion-proof construction
- 4-20mA output
- Display can be user configured to show level, space or distance from sensor

Technical Specifications

<i>PHYSICAL</i>		<i>PERFORMANCE</i>	
Dimensions	Overall 300C, 120(D) x 251(H) mm 800C/900C, 120(D) x 260(H) mm	Accuracy	300C 0.25% of target range or 2mm 800C, 990C 0.30% of target range or 3mm
Mounting	2 ½” NPT	Resolution	0.03% of full scale or 1mm
Weight	Nominal 3.2kg	Beam Angle	10° at -3dB
Case Material	Diecast Aluminium	Damping Rate	Adj 0.1m/min to 10m/min
Sensor Material	Aluminium	Temperature Comp.	Fully compensated
		Measuring Range	300C 0.25 to 3m 800C 0.30 to 8m 990C 0.30 to 10m
<i>ENVIRONMENTAL</i>		<i>OUTPUTS</i>	
IP Rating	IP67	Analog Output	4-20mA into 600
Temperature	-20°C to +70°C	Display	4 digit LCD display
Pressure	2 bar max	<i>POWER SUPPLY</i>	
Certification	CE	Supply Voltage	20 – 30 VDC
Explosion Proof	Ex dm II B T6	Current Consumption	Less than 21mA

Ordering Code



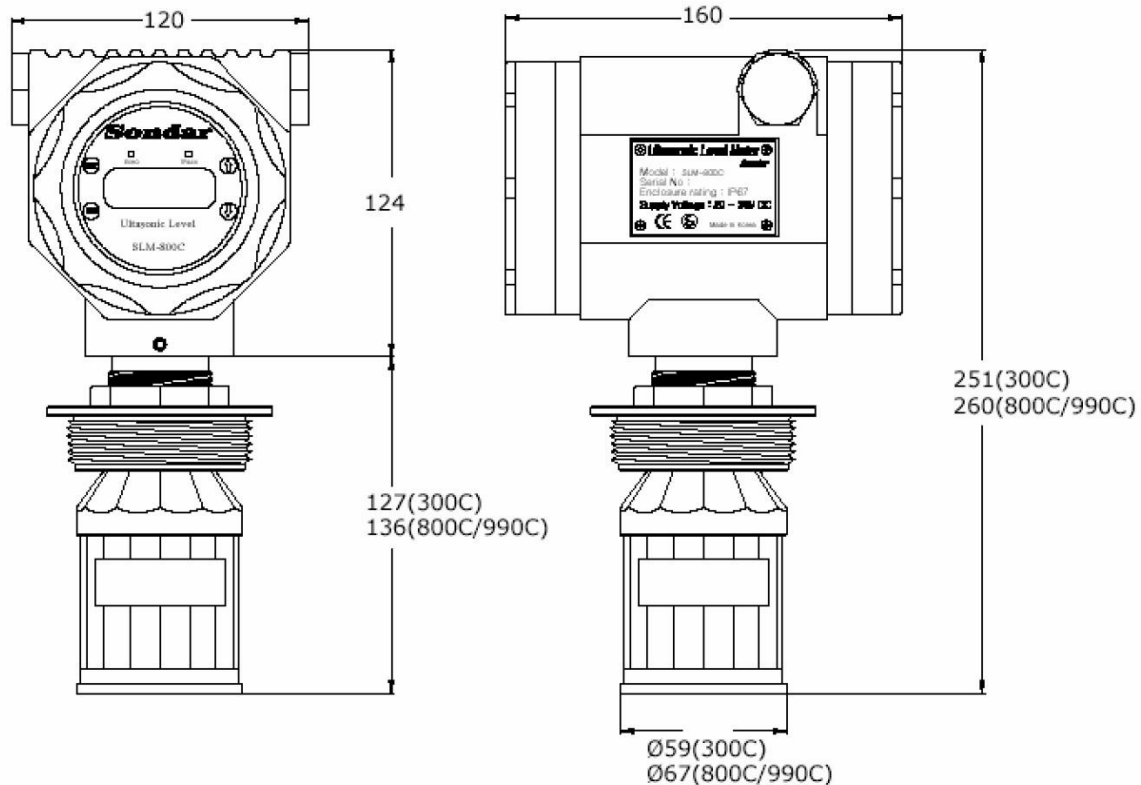
Deeter Electronics Ltd, Deeter House, Valley Road, Hughenden Valley, Bucks. HP14 4LW
 Tel: +44 (0) 1494 566046 Fax: +44 (0) 1494 563961 Email: sales@deeter.co.uk
www.deeter.co.uk

Deeter Electronics follows a policy of continual development of its products and reserves the right to change specifications and / or features without notice

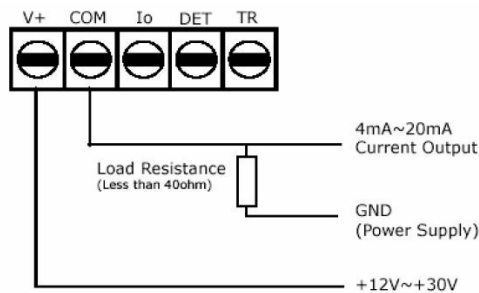
Deeter Electronics Ltd.

SLM300C/800C/990C 4-20mA Ultrasonic Level Meter

Dimensions



Terminal Connections



MAXMEGA

DISTRIBUTED BY: MAXMEGA ELECTRONICS PTE LTD
 63, HILLVIEW AVE #09-19
 LAM SOON INDUSTRIAL BUILDING
 SINGAPORE 669569
 TEL: +65 6769 1118
 FAX: +65 6769 2221
 EMAIL: maxsales@maxmega.com
 WEBSITE: www.maxmega.com

Terminal	Function	Note
V+	Direct current input	DC 20 ~ 30V
Io	Current output	4mA ~ 20mA
COM	Ground	for repair
DET	Reflection signal checking	for repair
TR	Threshold voltage checking	for repair

Deeter Electronics Ltd, Deeter House, Valley Road, Hughenden Valley, Bucks. HP14 4LW
 Tel: +44 (0) 1494 566046 Fax: +44 (0) 1494 563961 Email: sales@deeter.co.uk

www.deeter.co.uk

Deeter Electronics follows a policy of continual development of its products and reserves the right to change specifications and / or features without notice